

STUMP TOWN SNOWBOARDS

PALACE BAR

REMINGTON CASINO

MC GOUGH & CO

LA HACIENDA MEXICAN GRILL

GOING TO THE SUN GALLERY

THE BULLDOG SALOON

STUMP TOWN ART STUDIO

BOZEMAN WATCH COMPANY

LATTITUDE 48

WHITERSH REALTY
WHITERSH CHAMBER

GREEN TEA HOUSE

THE VILLAGE SHOP
WHITERSH PROPERTY MANAGEMENT
INDIGO CREEK CLOTHING

WASABI SUSHI BAR

L & COMPANY

HEDMAN, HEIMAN & LACOSTA LAW FIRM

MRS. SPOONOVERS

SPROUTS

BIG SKY ANTIQUES

STEPHANIE SUNSHINE MASSAGE /
SAGE & CEDAR SKIN CARE

NORTHWIND SHIRT COMPANY &
SAPPARI

THE PURPLE POMEGRANATE

BIG MOUNTAIN REAL ESTATE

SPROUTS

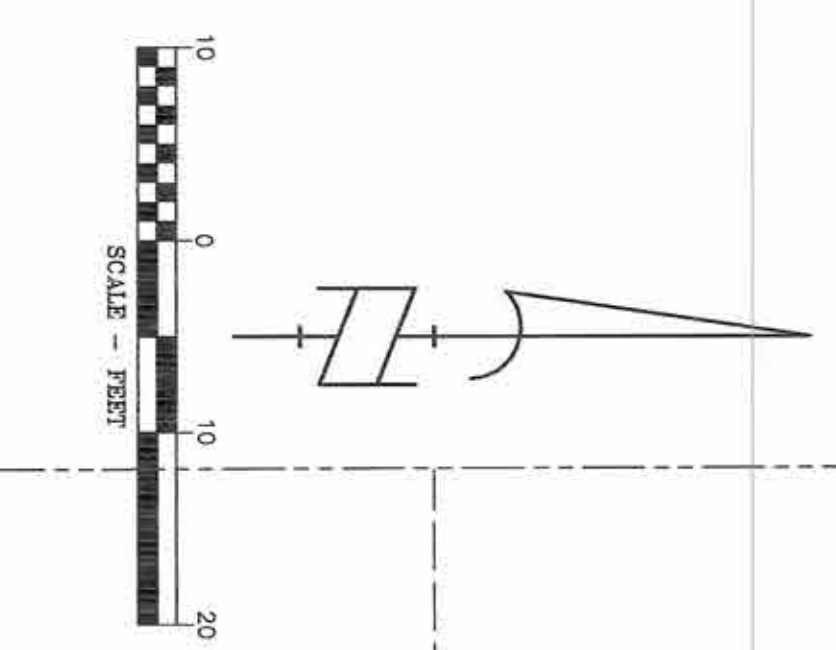
FIFTY SEVEN BOUTIQUE

THE IMAGINATION STATION

CENTURY LINK TELEPHONE

END PROJECT

GREAT NORTHERN VENTURES, LLC



END PROJECT